



SMART TECHNOLOGY

■ English

■ Русский

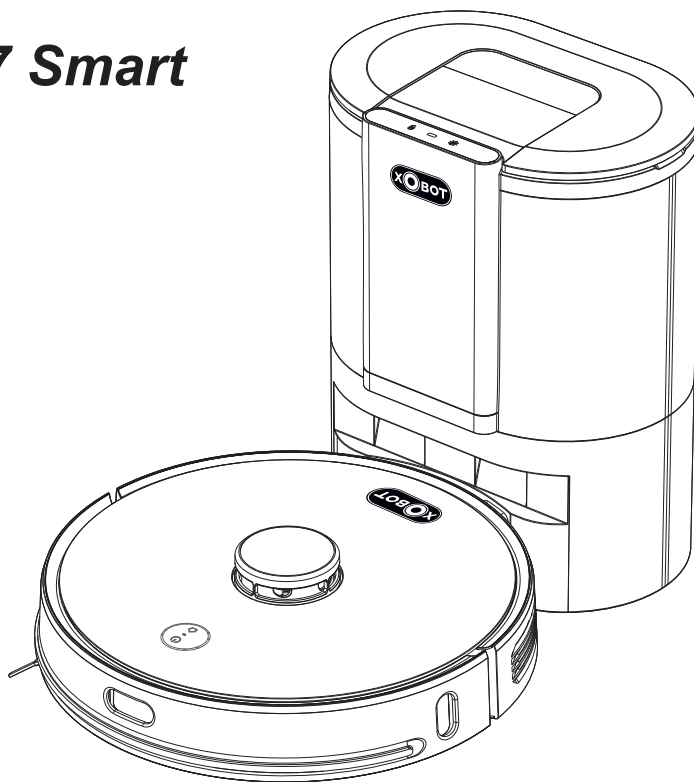
User Manual

Инструкция по эксплуатации

www.xbot.com.tw
www.xbot.su

ROBOT VACUUM CLEANER
РОБОТ-ПЫЛЕСОС

Xbot L7 Smart



Please keep this user manual in your sight, read it thoroughly and carefully before using this product
Пожалуйста внимательно прочтите данную инструкцию перед использованием устройства

EN

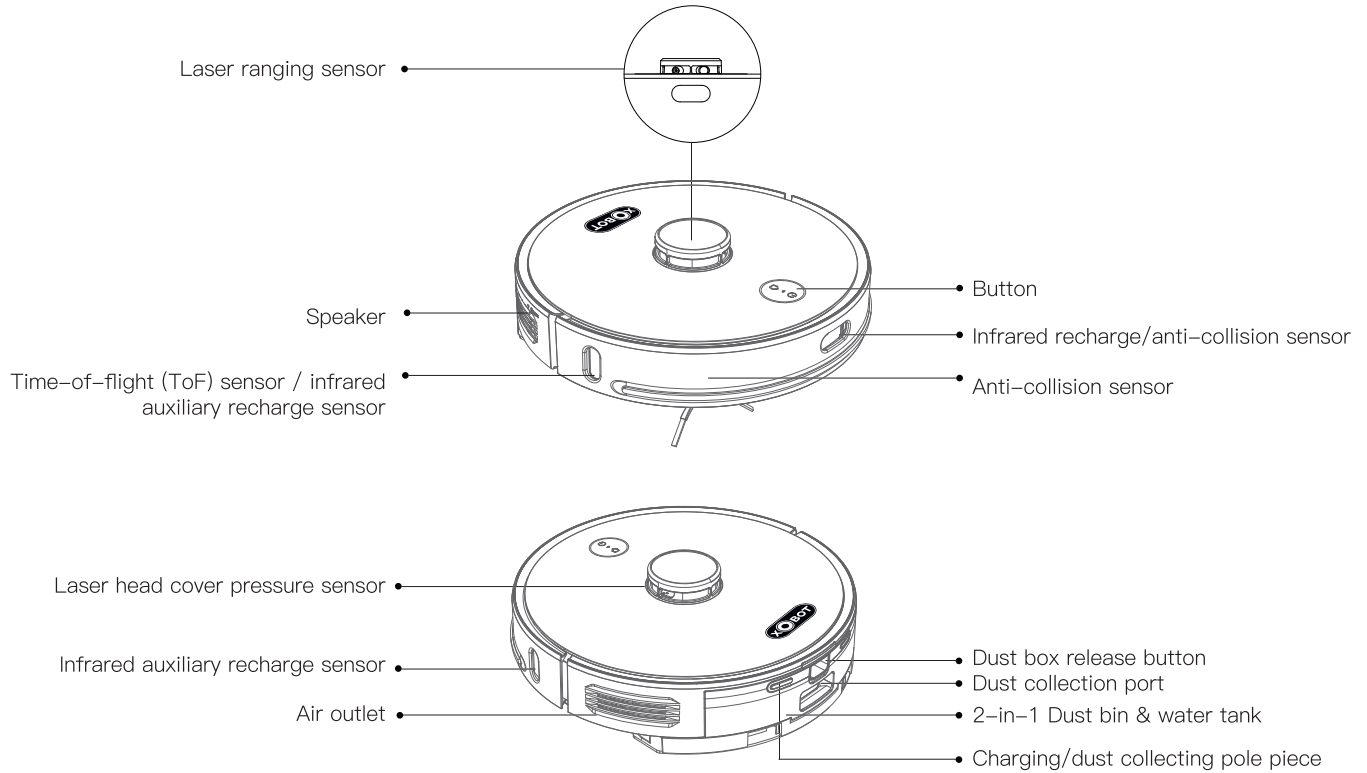
Product descriptions.....	1
Installation Notes.....	7
Instructions for use.....	8
Routine maintenance.....	12
Basic parameters.....	19
Common problems.....	20
Troubleshooting.....	21

RU

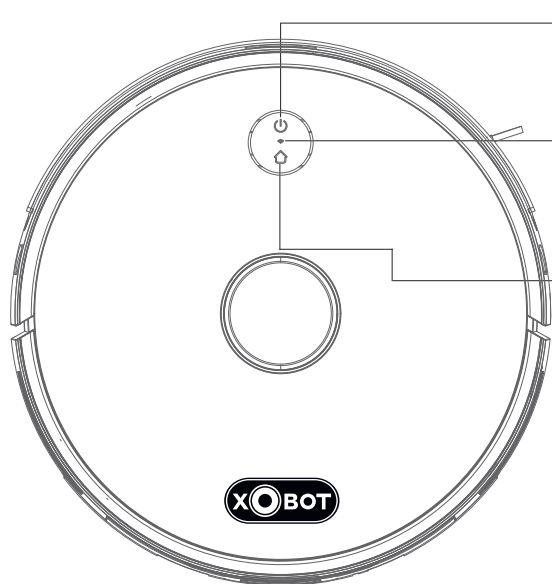
Описание устройства.....	23
Правила пользования.....	29
Инструкция по применению.....	30
Чистка и обслуживание.....	34
Часто задаваемые вопросы.....	41
Устранение неисправностей.....	42
Основные параметры.....	44
Сведения о безопасности.....	45

Product descriptions

Robot



Robot



• **Start/Stop Button**

- Long press to turn on / off
- Short press to start / pause cleaning



• **WiFi indicator**

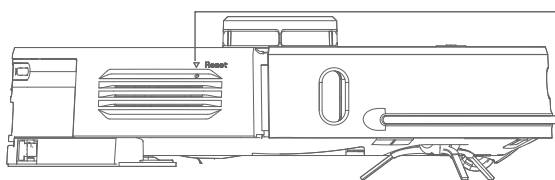
- Flashing white light: configuring network
- Solid white light: The network is connected

• **Recharge button**

- Short press to start/pause recharging
- Solid blue light: Working normally/pause/standby
- Flashing blue light: Is powering on/upgrading firmware
- Flashing yellow light: Low battery/recharging
- Flashing green light: Charging
- Solid green light: Fully charged
- Quick flashing red light: Abnormal/Error
- Light off: Off/sleep

Network Configuration

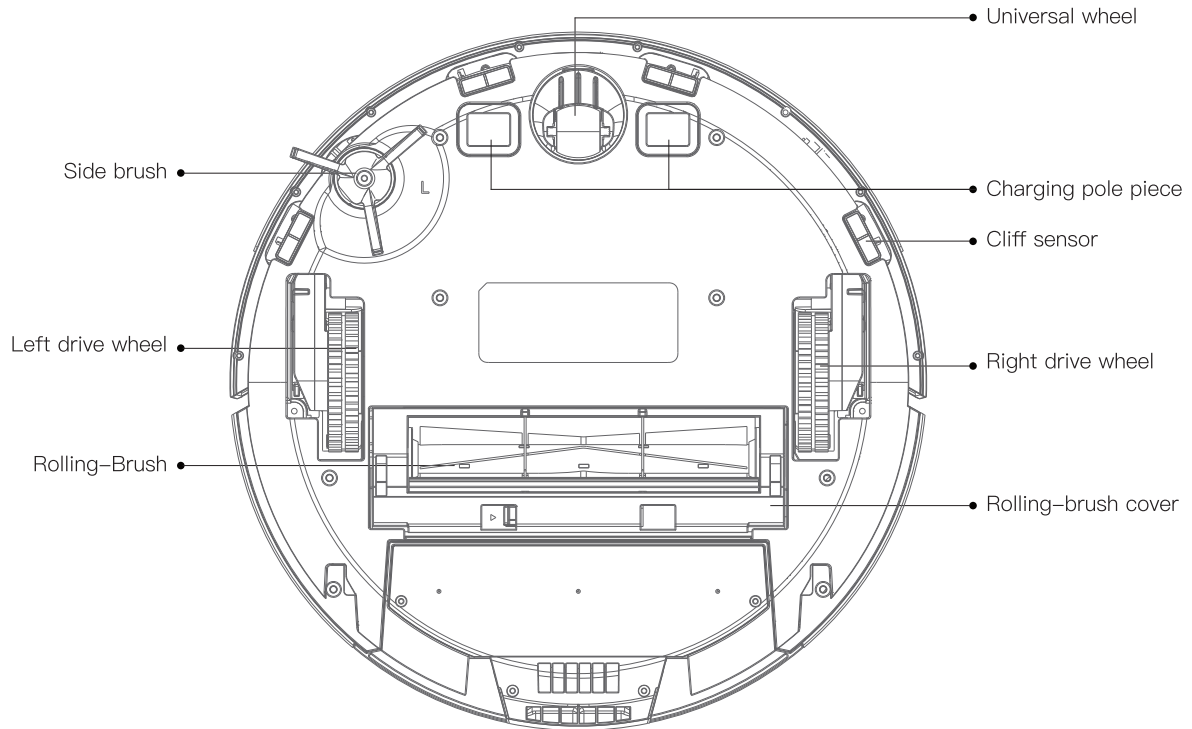
- While the power is on, press and hold the  and  keys simultaneously for 5 seconds



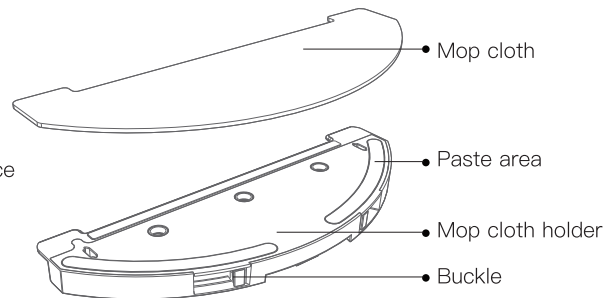
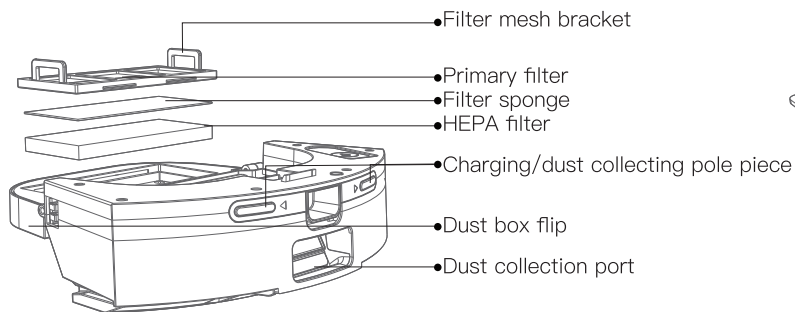
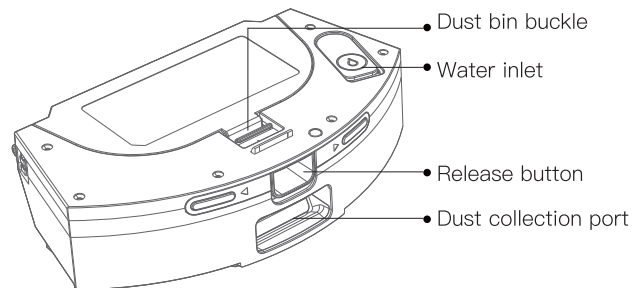
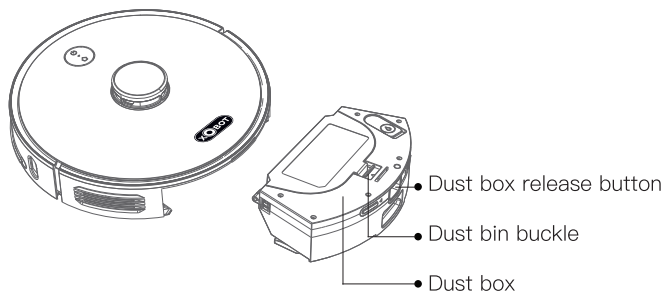
• **Force-shutdown button**

- Short press to turn off

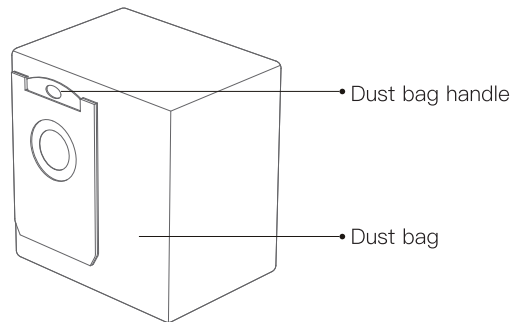
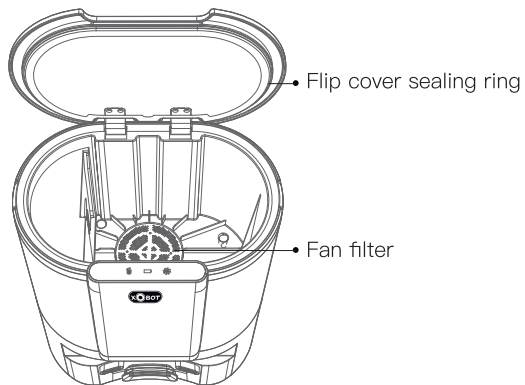
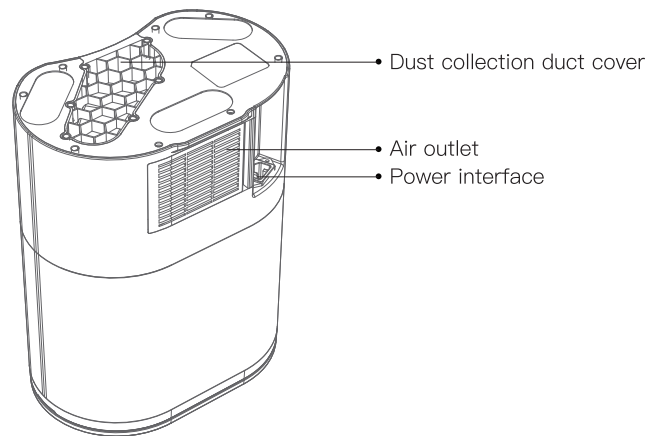
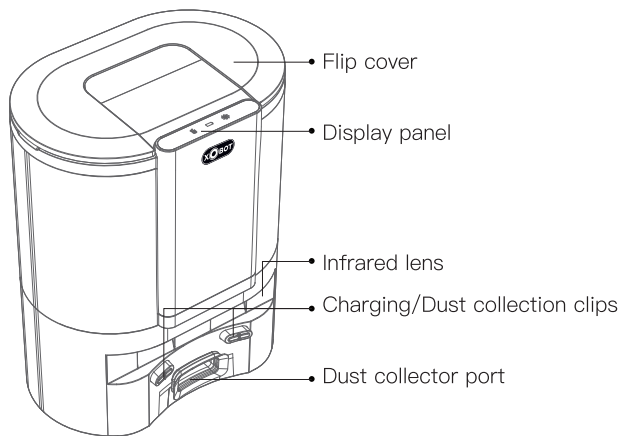
Host and sensor



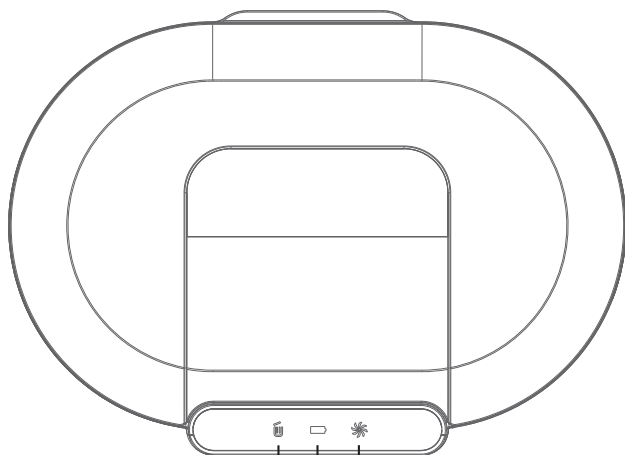
2-in-1 Dust bin & water tank



Dust collector unit



Dust collector unit



Fan indicator

- Solid green light: Collecting dust
- Red light flashes quickly: Fan overheating / fan error / The dust collector is not covered

Charging indicator

- Green light breathing and flashing: Charging
- Solid green light: Fully charged / Powered on

Dust bag indicator

- Solid green light: The dust bag is full / the dust duct is blocked
- Red light flashes quickly: The dust bag is not installed / not installed in place

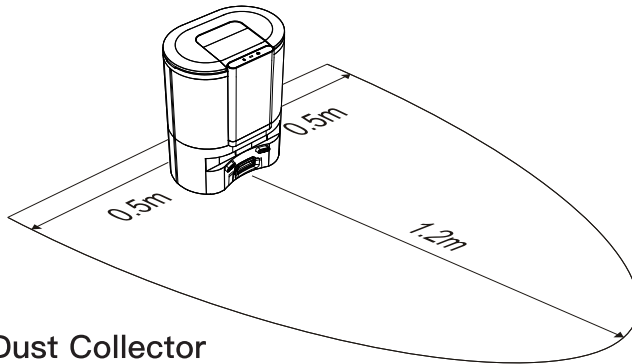
Installation Notes

Install dust collector

1. The dust collector should be placed on flat ground more than 6cm away from the wall.



2. Ensure there is a space of more than 1.2m at the front, and more than 0.5m on both sides of the dust collector.



About your Dust Collector

The dust collector unit is designed to collect dust and charge the robot cleaner. When the cleaning is completed, the robot vacuum automatically returns to the dust collector, which collects all the dirt and dust and recharges the robot vacuum automatically.

A new bag is required to install in the dust collector once it is filled with dust and dirt.

Instructions for use

Instructions for robot

Power on / off

Press and hold the “” button to power on, and the robot enters the standby mode. After booting, press and hold the “” button to shut down.

Note: When the machine is charging on the dust collector, it will automatically turn on, and it cannot be turned off during charging.

Start / pause

Under the power on state, short press the “” button to start the whole house cleaning.

Press any key to pause while cleaning.

Note: It is recommended to let the sweeping robot start cleaning from the dust collector.


When the battery is too low, the cleaning will not start.

Please charge and then start cleaning.

When the power is insufficient during the cleaning process, the robot will automatically return to the dust collector unit for charging.

After the battery is fully charged, it will automatically return to the interrupted location to continue cleaning.

Charging

Automatic recharging: The robot will automatically return to the dust collector unit to charge after the cleaning is completed or when the battery is low. Manual charging: Press the “” button to start recharging. After the machine is powered off, you can manually put the machine back to the dust collector unit to charge.

Note: Please make sure the charging pole piece is in good condition.

Sleep

If there is no operation for more than 20 minutes, the robot will automatically enter the sleeping mode.

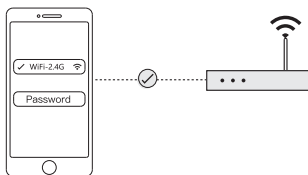
Note:

The machine will not enter the sleeping mode when charging.

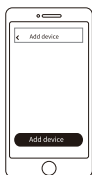
It will automatically shut down after the power runs out while sleeping.

Connect to the mobile client

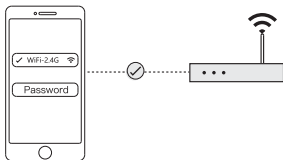
- ① The phone is connected to WiFi.



- ③ Choose the sweeping robot «Xbot L7 Smart» on the home page to add a device.



- ⑤ Select the connected WiFi of the phone and enter the WiFi password.

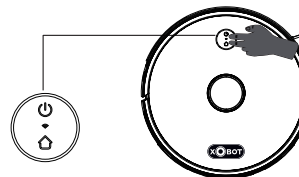


- ⑦ Return to the APP and wait for the distribution network to complete.

- ② Scan the QR code below, or search for «XbotHome» in the mobile app store to download the app, register and login to the account.



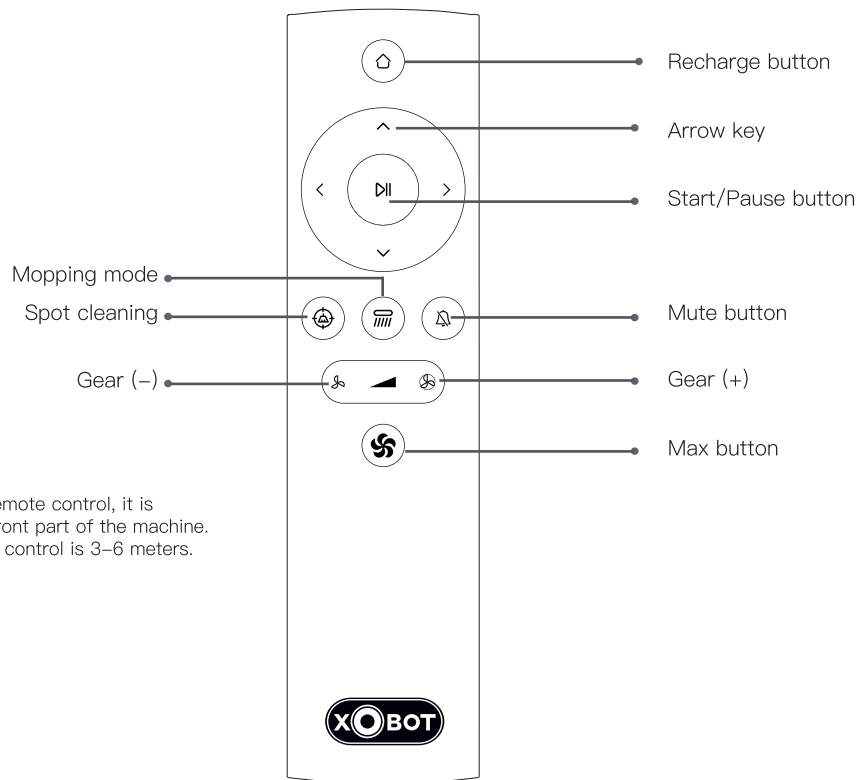
- ④ Press and hold the “⏻” and “🏠” keys for 5 seconds to enter the network configuration.



- ⑥ Go to the mobile phone WLAN list and select and connect the «Xbot-XXXX» device hotspot.

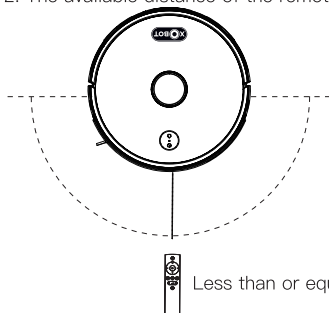


Remote control



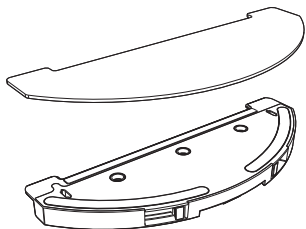
Note:

1. To ensure the effectiveness of the remote control, it is recommended to point it towards the front part of the machine.
2. The available distance of the remote control is 3-6 meters.

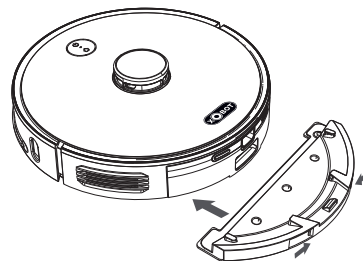


Install the 2-in-1 Dust bin & water tank

① Place the mop pad onto the mop attachment and secure it to the Velcro strips. Slip corners of the mop pad over the plastic tabs at the rear of the mop attachment.



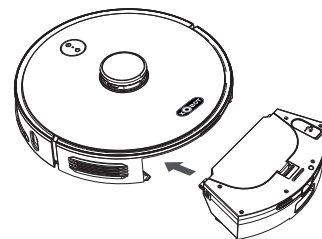
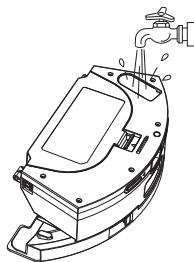
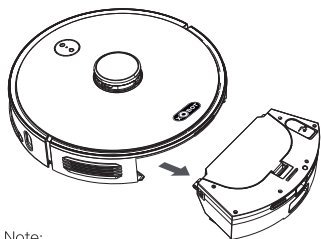
② Slide the mop attachment into the dustbin as shown in the figure below until you hear a click confirming that it is locked in place.



③ Remove the dustbin from the machine with the mop attachment still installed.

④ Open the water fill cap on the dustbin and fill with water, close the cap.

⑤ Install the dustbin with the mop attachment still installed into the machine according to the figure below.



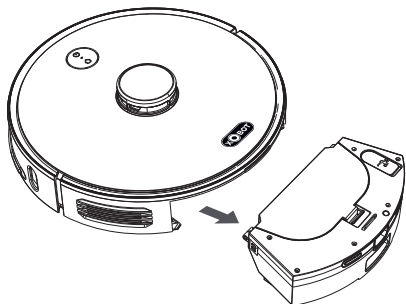
Please Note:

1. To avoid carpet while mopping, set up virtual boundaries on the Proscenic APP.
2. To avoid leakage, install the mop attachment on the dustbin before filling with water.
3. Make sure to empty any leftover water from the tank after mopping.

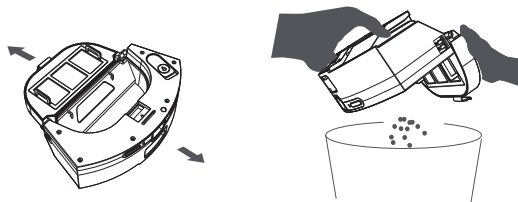
Routine maintenance

2-in-1 Dust bin & water tank (recommended weekly)

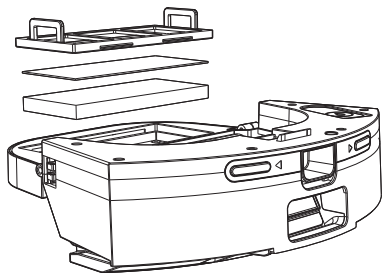
① Press the dust box release button and take out the dust box.



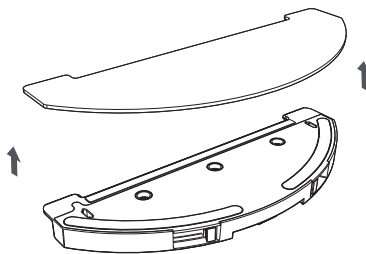
② Open the dust box and dump the garbage in the dust box.



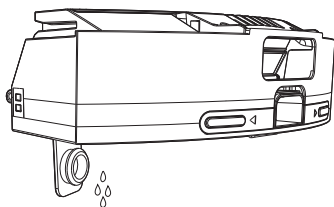
③ Take out the primary filter, sponge and HEPA filter, clean the garbage on the surface with a cleaning brush, rinse the filter and dust box with water and then dry.



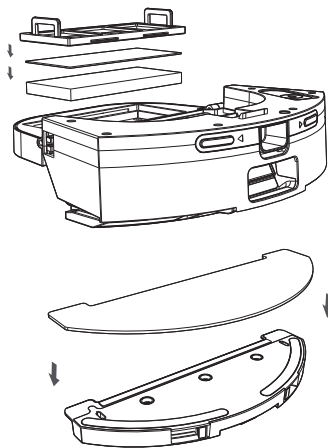
④ Tear off the mop cloth, rinse with water and dry in the sun.



⑤ Pour out the remaining water in the water tank and dry the water tank.



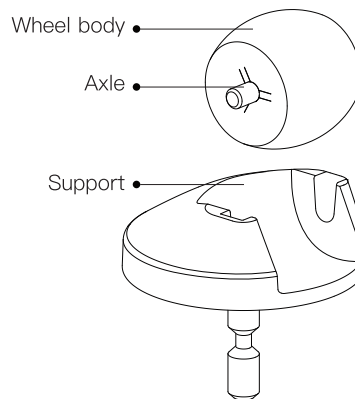
⑥ After the filter, dust box, mop cloth and water tank are all dried, put them back together for next use.



Universal wheel (recommended to be cleaned monthly)

1. Flip the main unit and pull out the universal wheel upwards.
2. Clean the hair and dust on the wheel, axle and support.
3. Reinstall the universal wheel and press it tight.

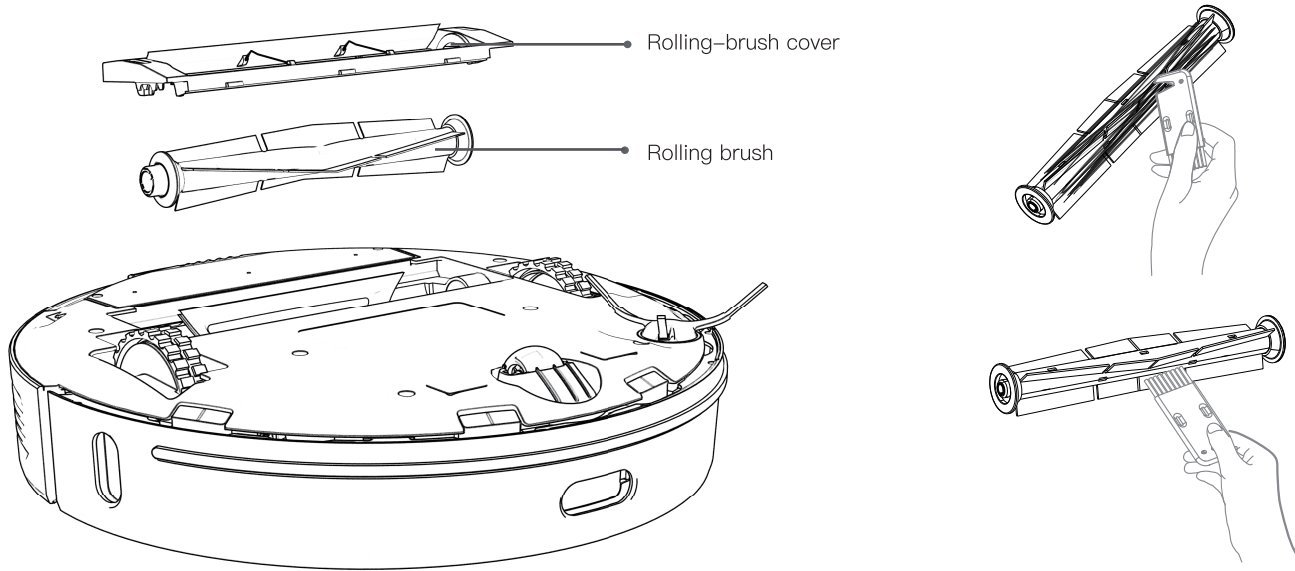
Note: Wash with water, dry it and put it back.



Rolling brush (recommended to be cleaned weekly)

- ① Turn the main unit, press the left and right buckles, and remove the rolling-brush cover.
- ② Remove the rolling brush upwards and clean the entangled hair and rubbish with a cleaning brush.
- ③ Replace the rolling brush and insert the three legs of the rolling-brush cover into the slot, press down and fix the buckle.

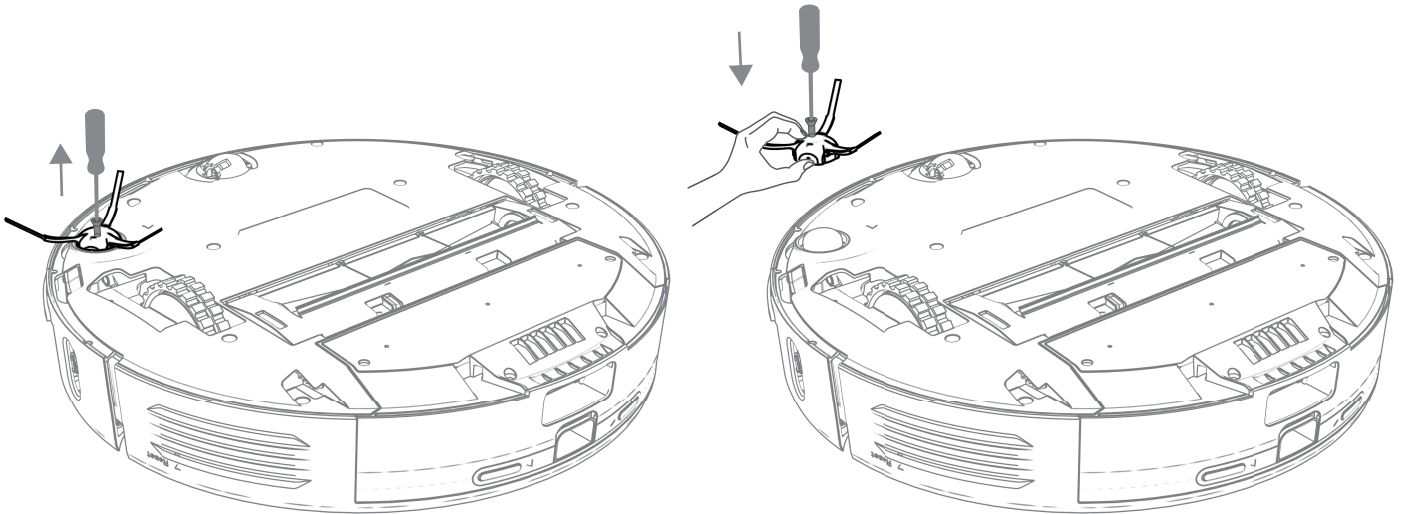
Note: Depending on the usage, it is recommended to replace the roller brush every 6–12 months to ensure the cleaning effect.



Side brush (recommended weekly cleaning)

- ① Use a screwdriver to unscrew the side brush screw and remove the side brush.
- ② After cleaning the wrap hair and rubbish on the side brush, replace the side brush.

Note: Depending on the application, it is recommended to replace the side brush for 3–6 months to ensure the cleaning effect.

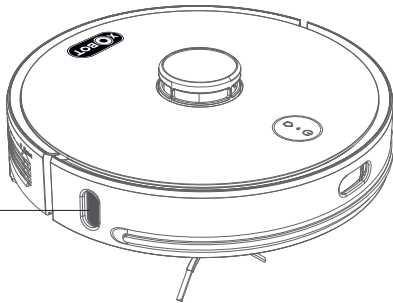


The main unit and sensor (recommended to be cleaned monthly)

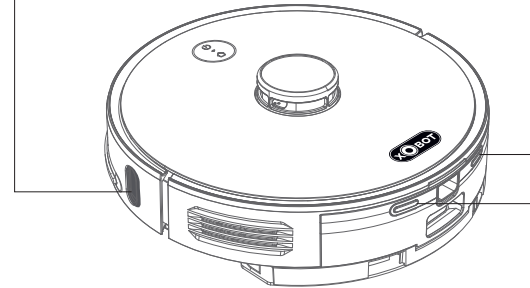
Wipe the sensor on the main unit with a soft, dry cloth, including:

- ① 4 cliff sensors at the bottom of the main unit
- ② Wall sensor on the right side of the host
- ③ Infrared auxiliary recharge sensor
- ④ Charging pole piece on the back of the robot

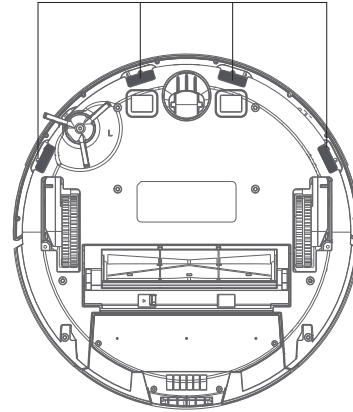
Time-of-Flight (TOF) sensor
/ infrared auxiliary recharge sensor



Infrared auxiliary
recharge sensor



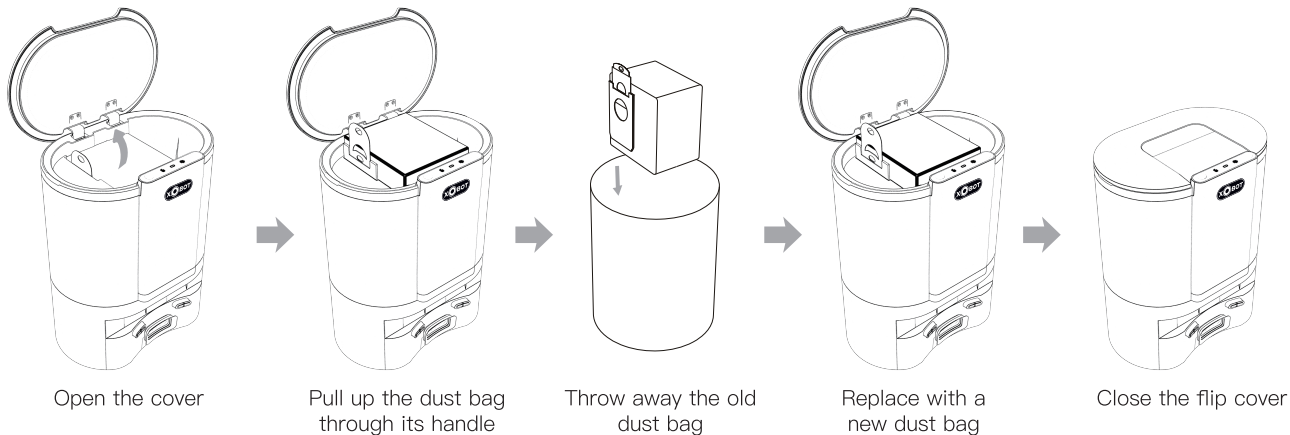
Cliff sensor



Charging/
dust
collecting
pole piece


Dust bag

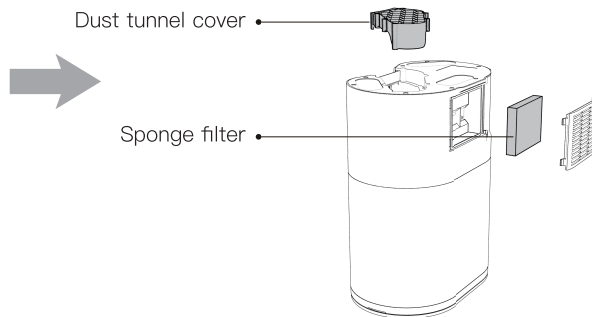
When the dust bag is full, replace it with a new one according to the  Dust bag indicator (solid green light). It is recommended to replace the dust bag every 6–8 weeks.



*Note: The fastener seals the dust and debris in the dust bag.

Cleaning the dust tunnel

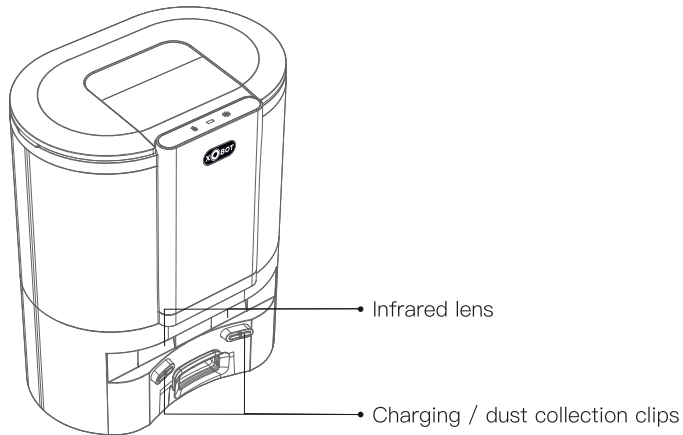
- ①  The dust bag indicator light is solid green, but the dust bag is not full, unplug the dust collector, turn the dust collector over, use a screwdriver to remove the screws as shown in the figure and open the dust duct cover to clean out the foreign objects.
- ② Open the air outlet at the rear of the dust collector, clean the sponge filter, and then put it back in.



*Do not disassemble by force, use a screwdriver to remove the screws. Reassemble it according to the original design after each clean.

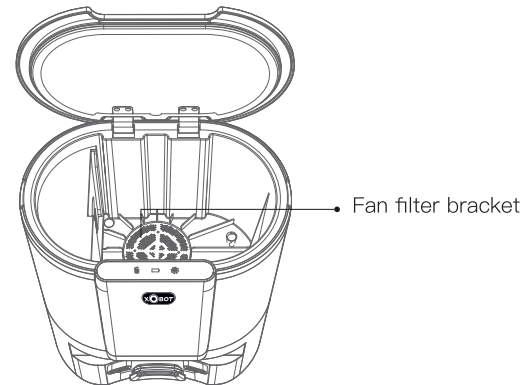
■ Cleaning the dust collector infrared lens and the charging/dust collector clips

Check the infrared lens and charging / dust collection clips of the dust collection unit for dirt. Wipe them with a clean dry cloth to ensure they are clean and free of dirt. It is recommended to wipe them at least once a month.



■ Cleaning the fan filter screen bracket

Check whether there is any lint or debris accumulated on the filter screen bracket of the fan. If there is any, please use the cleaning brush for robot or a dry cloth to remove it. It is recommended to clean it at least once a month.



Basic parameters

Robot

Name	Parameters
Dimensions	$\phi 350\text{mm} \times \phi 350\text{mm} \times 98\text{mm}$
Product weight	$\approx 3.6\text{kg}$
Rated voltage	14.4V ===
Rated power	50W
Battery capacity	5200mAh

Dust collector unit

Name	Dimension/Rating
Overall Dimensions	282mmx361mmx202mm
Power Rating	1050W
Input Rating	110–240V ~50/60Hz
Output Rating	DC24V === 1.2A

FCC Statement

1. This device complies with Part 15 of the FCC Rules. Operation is subject to the following two conditions:
 - (1) This device may not cause harmful interference, and
 - (2) This device must accept any interference received, including interference that may cause undesired operation.
2. Changes or modifications not expressly approved by the party responsible for compliance could void the user's authority to operate the equipment.

NOTE:

This equipment has been tested and found to comply with the limits for a Class B digital device, pursuant to Part 15 of the FCC Rules. These limits are designed to provide reasonable protection against harmful interference in a residential installation.

This equipment generates uses and can radiate radio frequency energy and, if not installed and used in accordance with the instructions, may cause harmful interference to radio communications. However, there is no guarantee that interference will not occur in a particular installation. If this equipment does cause harmful interference to radio or television reception, which can be determined by turning the equipment off and on, the user is encouraged to try to correct the interference by one or more of the following measures:

Reorient or relocate the receiving antenna. Increase the separation between the equipment and receiver.

Connect the equipment into an outlet on a circuit different from that to which the receiver is connected.

Consult the dealer or an experienced radio/TV technician for help.

FCC Radiation Exposure Statement

This equipment complies with FCC radiation exposure limits set forth for an uncontrolled environment.

This equipment should be installed and operated with minimum distance 20cm between the radiator & your body.

Common problems

Question type	Solution
Unable to boot	The battery is low, please manually put the robot back to the dust collector for recharging before using it The ambient temperature is too low (less than 0° C) or too high (higher than 40° C)
Unable to start cleaning	The battery is low, please put the robot back to the dust collector to recharge manually before using it
Unable to recharge	There are too many obstacles near the dust collector. Please place the dust collector in an open area The main unit is being too far away from the dust collector. Please try to place the main unit near the dust collector
Abnormal behavior	Reboot it after shutdown
There is an abnormal noise during cleaning	The roller brush, side brush or left/right wheel may be wrapped with foreign objects, please clean them after shutdown
Declining in cleaning ability or dust falling out from the machine.	The dust box is full, please clean it HEPA components have been blocked, please clean it The roller brush is wrapped by foreign objects, please clean it
Unable to connect Wi-Fi	The Wi-Fi signal may not be good, please make sure the machine is in an area with optimal Wi-Fi signal coverage The Wi-Fi connection may be abnormal, please reset your Wi-Fi and download the latest app and try to connect it again
Breakpoint cleaning	Please confirm that the machine is not in the Do Not Disturb mode, and it will not continue to clean in this mode Recharging the machine manually or placing it back to the dust collector will lead the machine not to continue cleaning from last interruption
Cannot return to the dust collector after spot cleaning or moving the position	After the spot cleaning or moving the position for a long distance, the machine will re-generate the map If the dust collector is far away, it may not be able to recharge automatically. Please place it back to the dust collector manually to charge
Unable to charge	Make sure there is enough space around the dust collector and no dust or obstruction on its surface
Scheduled cleaning does not work	Please confirm that the device is connected to a network. If it is not, you cannot synchronize the scheduled cleaning task
The machine is always offline.	Please ensure that the machine is successfully connected to a network and is always within the Wi-Fi coverage
The mobile phone cannot pair the device.	Please make sure that the dust collector and the machine are within the Wi-Fi coverage and the signal is optimal. Follow the instructions to reset the Wi-Fi and then pair it again



Troubleshooting

Robot

Fault prompt	Solution
Abnormal 1. Please confirm that the laser radar is not blocked	Please check or remove foreign objects around the lidar or move the device to a new location to restart
Abnormal 2. Please wipe the cliff sensor and move to the new position to start	Wipe the main power cliff sensor and try again (refer to the manual for sensor location)
Abnormal 3. A strong magnetic field is detected, moved to a new location, and then retried	Please move the machine to a new location and try again
Abnormal 4. Please check the collision sensor and clear the foreign object around it	Try pressing the front bumper and clearing the foreign object, then restart
Abnormal 5. The temperature of the machine is abnormal. Please wait for the temperature to return to normal	The temperature of the machine is too high or too low. Please wait until the temperature returns to normal before using
Abnormal 6. Charging is abnormal. Please clean the charging contact area	Please check if the original power adapter is used. Please check if the dust collector is in the horizontal position

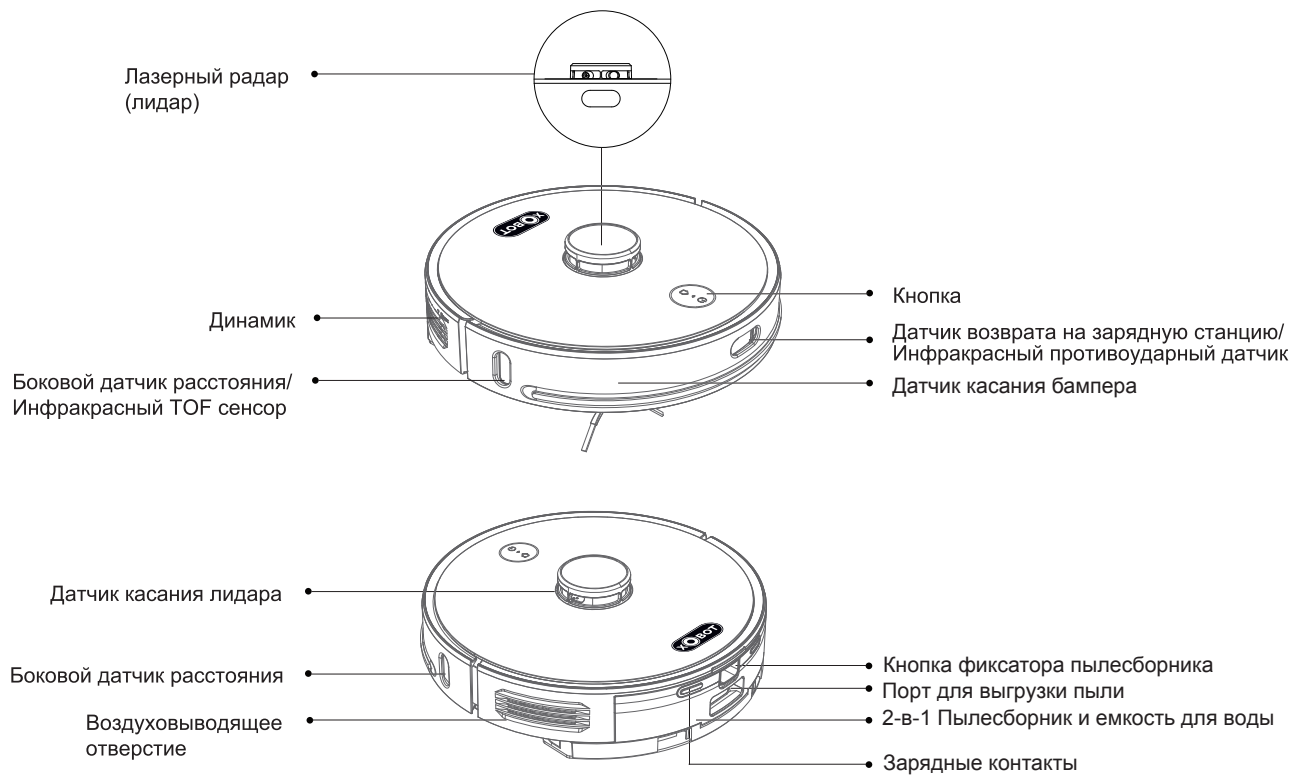
Dust collector unit

This product will prompt you the current product status through the indicator light on the top of the body:

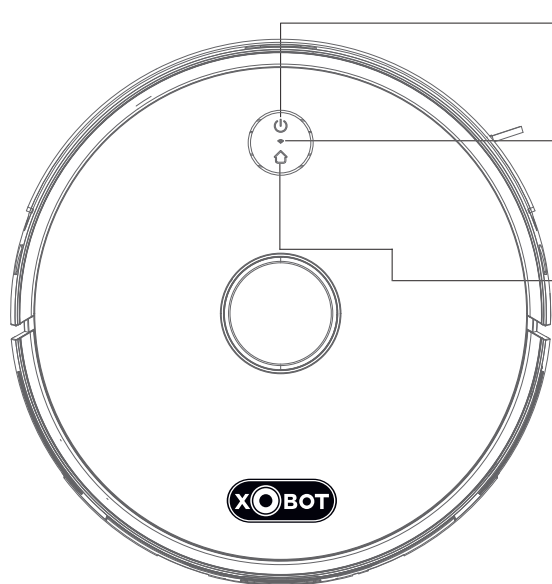
Indicator light	Common error	Solution
 Flashing red	Fan error / overheating / the dust collector's cover is not closed properly	<ol style="list-style-type: none">1. Collecting dust frequently leads to malfunction of the fan and its overheating protection. It is recommended to try to collect dust after 30 minutes.2. Make sure that the dust collector cover is completely closed, securely sealed, and the robot has been placed on the dust collector to charge, and try to collect dust once.
 Flashing red	The dust bag is not installed / not installed in place	<ol style="list-style-type: none">1. Check whether the dust bag is installed, if not, please install the dust bag.2. Check if the dust bag is installed correctly and in place.

Описание устройства

Робот-пылесос



Робот-пылесос



• Кнопка Старт/Стоп

- Кратковременное нажатие: старт/пауза уборки
- Длительное нажатие: включение/выключение



• Wi-Fi индикатор

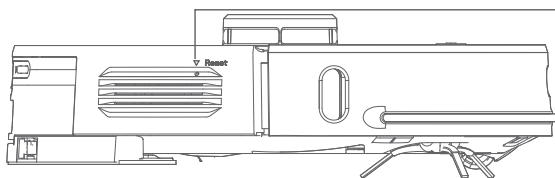
- Мигающий белый свет: настройка сети
- Горит белый свет: сеть подключена

• Кнопка зарядки

- Включен синий свет - нормальная работа / пауза / ожидание
- Мигает синий свет: включение / конфигурация сети / обновление прошивки
- Мигает желтый свет: низкий заряд / поиск зарядной базы
- Зеленый свет мигает: аккумулятор заряжается
- Горит зеленый свет: полностью заряжен
- Мигает красный свет: неисправность

Подключение к сети Wi-Fi

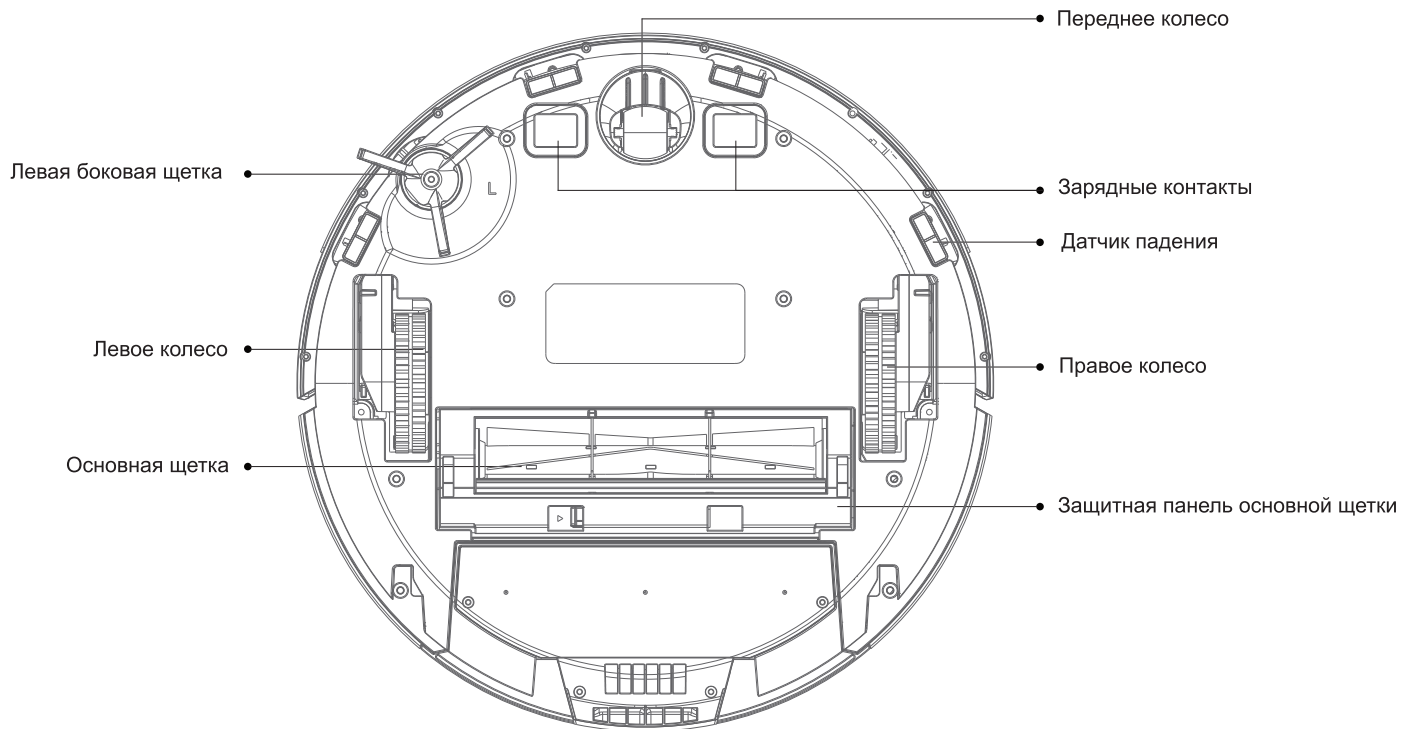
- При включенном питании нажмите и удерживайте кнопки "" и "" в течение 5 секунд



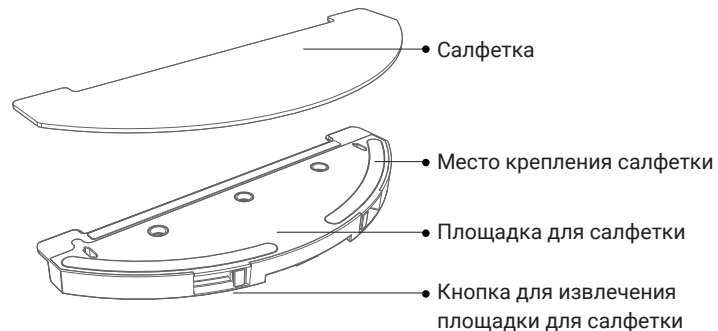
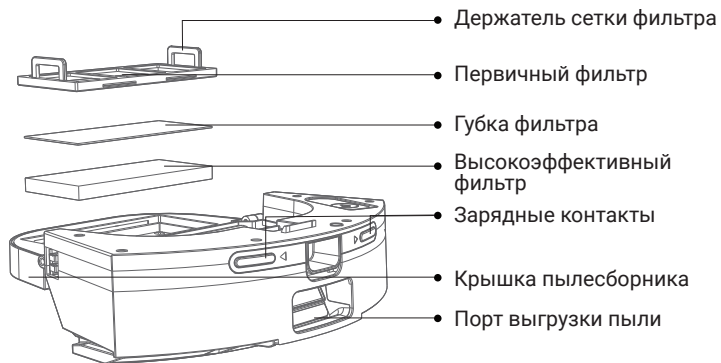
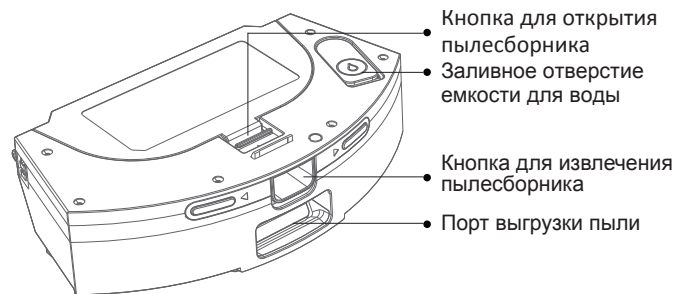
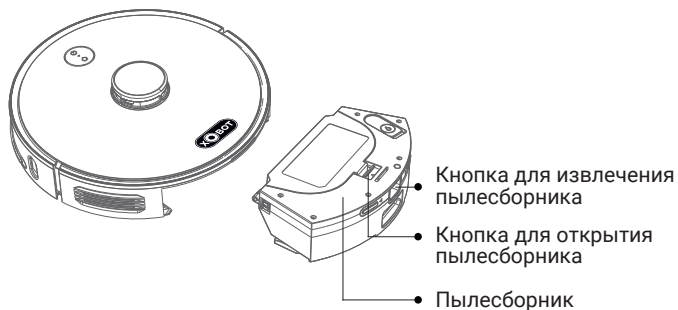
• Кнопка "Reset"

- Кратковременное нажатие для выключения или сброса программы

Основной корпус и сенсоры устройства

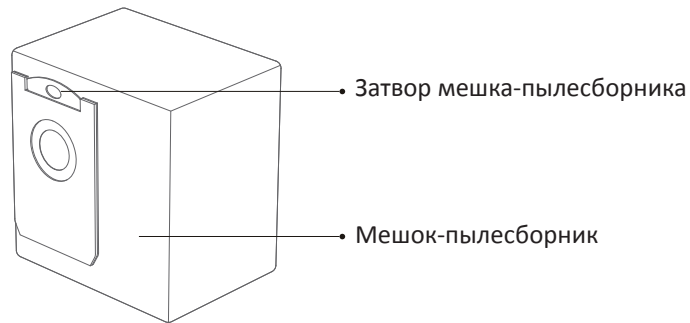
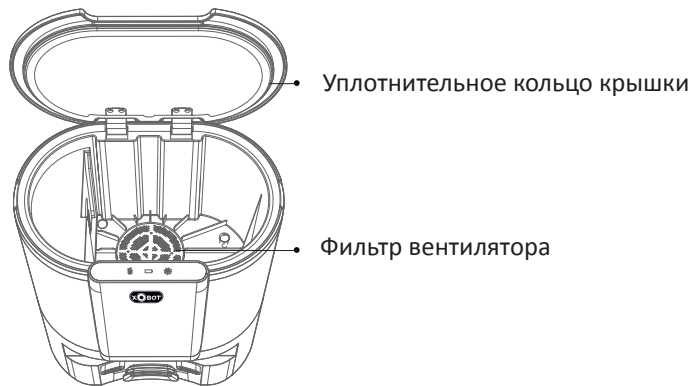
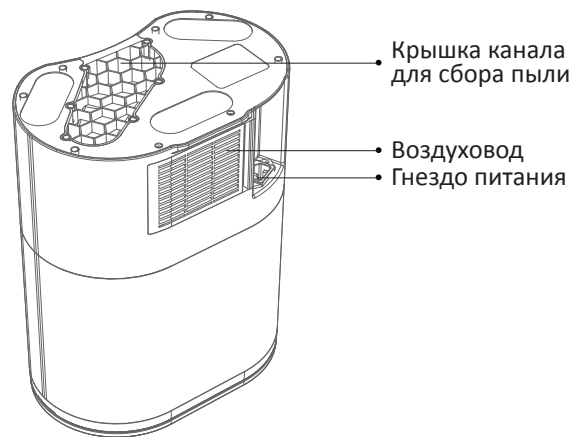
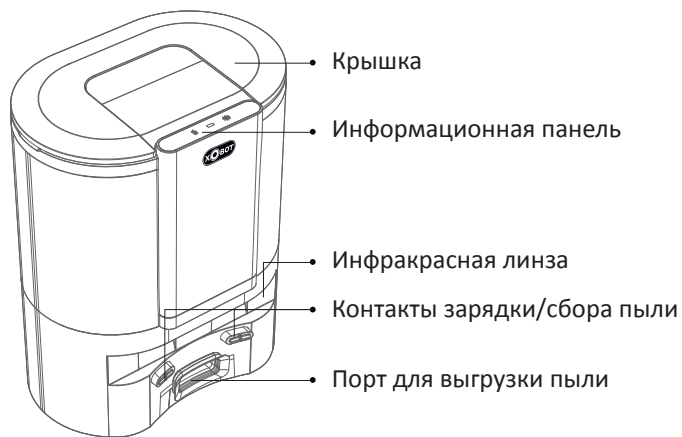


2-в-1 Пылесборник и емкость для воды

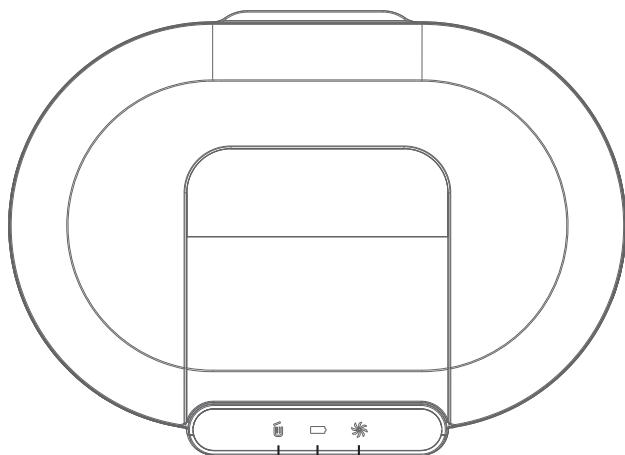


Станция самоочистки

Основной корпус станции самоочистки



Основной корпус станции самоочистки



✱ Индикатор вентилятора

- Постоянно горит зеленым светом: собирается пыль
- Красный свет быстро мигает: перегрев вентилятора / ошибка вентилятора / крышка не закрыта

☐ Индикатор заряда

- Плавно мигает зеленый свет: идет зарядка
- Постоянно горит зеленым светом: полностью заряжен / включен

🗑 Индикатор пылесборника

- Горит зеленым светом: мешок для пыли заполнен / канал для пыли заблокирован
- Красный свет быстро мигает: мешок для пыли не установлен / не установлен на место

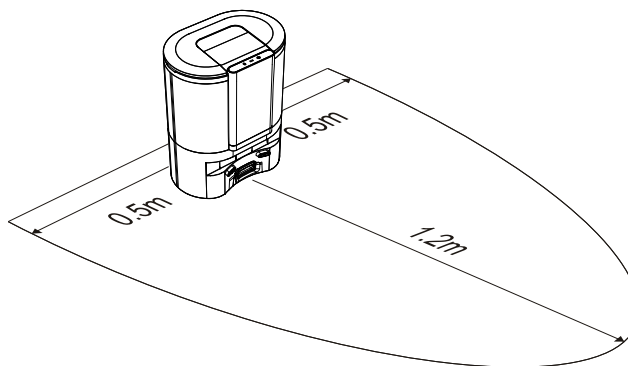
Правила пользования устройством

Установка станции самоочистки

- ① Станция самоочистки должна быть расположена на ровном полу в 6 см от стены.



- ② Убедитесь, что перед станцией самоочистки есть 1.2м свободного пространства, и 0.5м по краям.



Информация о станции самоочистки

Пылесборник необходим для сбора пыли и зарядки робота-пылесоса.

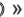

В пылесборник уже установлен один мешок для сбора пыли.

После завершения уборки, робот вернется к пылесборнику, выгрузит пыль и начнет заряжаться.

Инструкция по применению


Инструкции для работа

Включение / Выключение питания

Нажмите и удерживайте кнопку «», чтобы включить питание, и робот перейдет в режим ожидания. После загрузки нажмите и удерживайте кнопку «», чтобы выключить робот.

Примечание: когда робот заряжается на станции самоочистки, он автоматически включается, и его нельзя выключить во время зарядки.


Пуск / Пауза

При включенном питании кратковременно нажмите кнопку «», чтобы начать уборку всего дома. Нажмите любую кнопку, чтобы приостановить уборку.

Примечание: Запуск уборки робот должен начинать от станции самоочистки. Если батарея разряжена уборка не начнется, сначала зарядите аккумулятор, а затем начните уборку. Если до окончания уборки аккумулятор разрядится, робот автоматически вернется к станции самоочистки для зарядки. После того, как аккумулятор будет полностью заряжен, робот автоматически вернется на то место, где была прервана уборка.

Зарядка

Робот автоматически возвращается к станции самоочистки для зарядки после завершения уборки или при низком заряде аккумулятора.

Нажмите кнопку Зарядка «», чтобы вернуть робот к станции самоочистки, для подзарядки. Если робот выключен или полностью разряжен, можно вручную поместить его на станцию самоочистки.

Примечание: убедитесь, что зарядные площадки на работе и станции имеют хороший контакт.

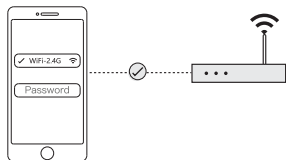
Спящий режим

Если в течение 20 минут не выполняется никаких действий, робот автоматически переходит в спящий режим.

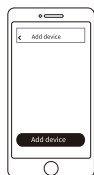
Примечание: робот не переходит в спящий режим во время зарядки на станции. Он автоматически выключится в случае если отключится электричество во время зарядки.

Подключение к мобильному приложению

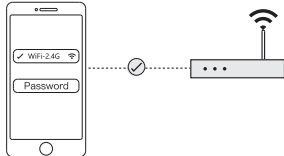
- ① В момент настройки телефон должен быть подключен к сети Wi-Fi 2,4 ГГц (сеть 5 ГГц не поддерживается роботом)



- ③ Включите приложение, добавьте робота и выберите «Xbot L7 Smart».



- ⑤ В соответствии с советами на странице приложения выберите Вашу WiFi сеть, введите пароль и ждите настройки сети.

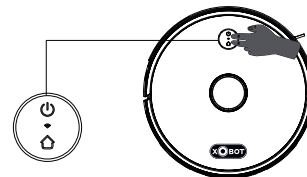


- ⑦ Вернитесь в приложение и дождитесь присоединения устройства.

- ② Отсканируйте QR-код ниже или выполните поиск «XbotHome» в магазине приложений, чтобы скачать приложение.



- ④ Нажмите и удерживайте кнопки “⏻” и “🏠” в течение 5 секунд, чтобы войти в сеть

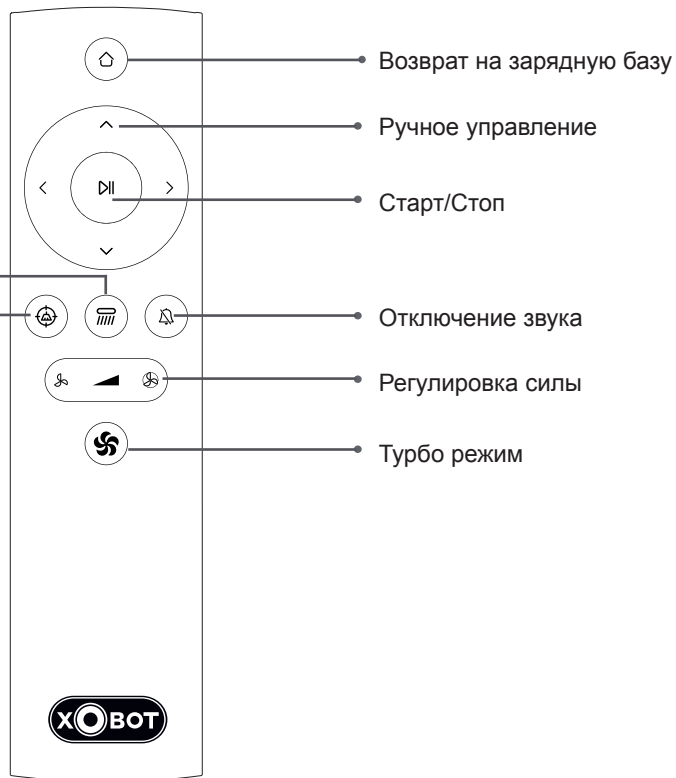


- ⑥ Откройте на смартфоне список сетей Wi-Fi и подключите сеть устройства «Xbot-XXXX».



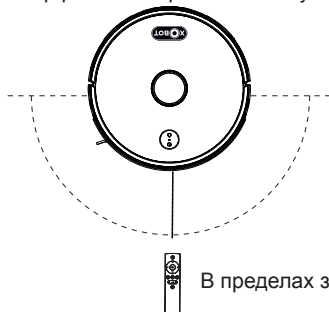
Пульт ДУ

Режим влажной уборки
Режим локальной уборки «SPOT»



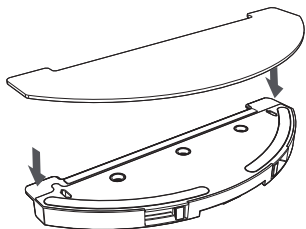
Примечание:

1. Для обеспечения наилучшего эффекта дистанционного управления рекомендуется использовать его в передней части основного корпуса.
2. Эффективное расстояние пульта составляет 3-6 метров.

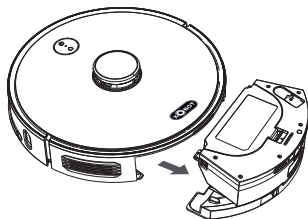


Установка 2-в-1 Пылесборника и емкости для воды

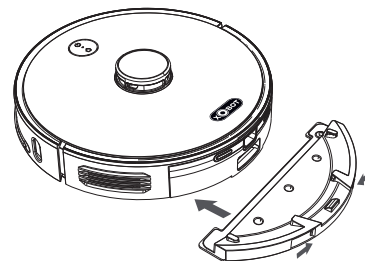
- ① Намочите салфетку водой, прикрепите ее к липучке закрепив за выступы на задней части площадки.



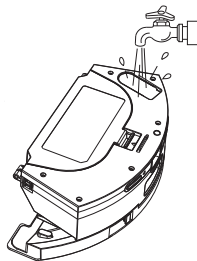
- ③ Извлеките из робота пылесборник не снимая площадку для салфетки.



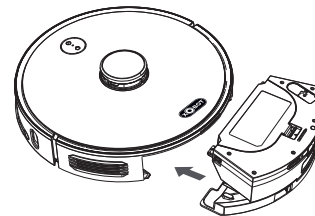
- ② Закрепите площадку для салфетки к нижней части пылесборника до щелчка, как показано на рисунке.



- ④ Заполните емкость водой через заливное отверстие, и закройте резиновую крышку.



- ⑤ Вставьте 2-в-1 Пылесборник в робот-пылесос.



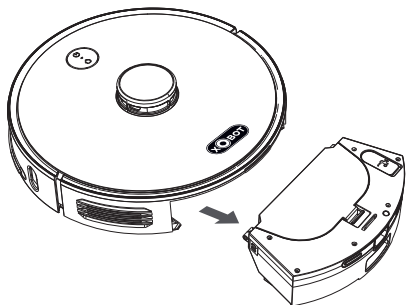
Внимание!

1. Если у вас дома есть ковер, настройте виртуальную стену в приложении XBOT.
2. Во избежание протечек необходимо установить площадку до заполнения емкости водой, и не наклонять 2-в-1 Пылесборника после его заполнения.
3. После влажной уборки удалите остатки воды из емкости.

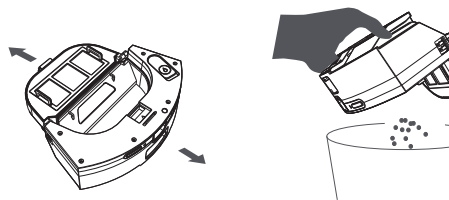
Чистка и обслуживание

Пылесборник и фильтр (рекомендуется очищать еженедельно)

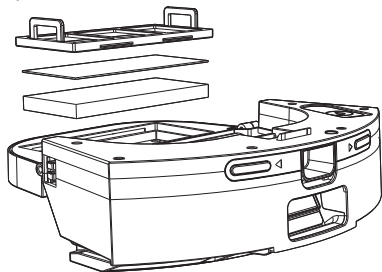
- ① Нажмите кнопку фиксатора пылесборника, чтобы извлечь пылесборник.



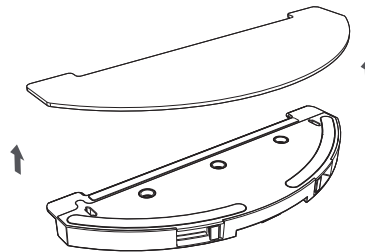
- ② Откройте пылесборник, вытряхните мусор.



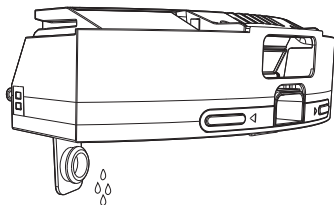
- ③ Откройте крышку пылесборника снимите сетку, губку и высокоэффективный фильтр, стряхните мусор с фильтрующей сетки и очистите пылесборник и фильтр щеткой.



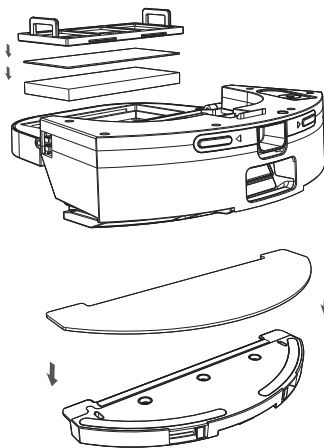
- ④ Снимите загрязненную салфетку, промойте ее водой и просушите (при использовании одноразовой салфетки, использованную выбросьте).



- ⑤ Вылейте остатки воды из емкости и высушите ее.

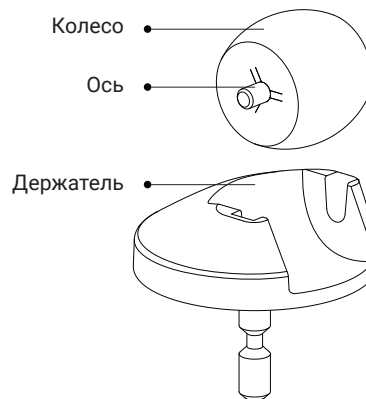


- ⑥ После того, как салфетка и емкость для воды высохнут, соберите все в обратной последовательности.



Переднее колесо (рекомендуется ежемесячная чистка)

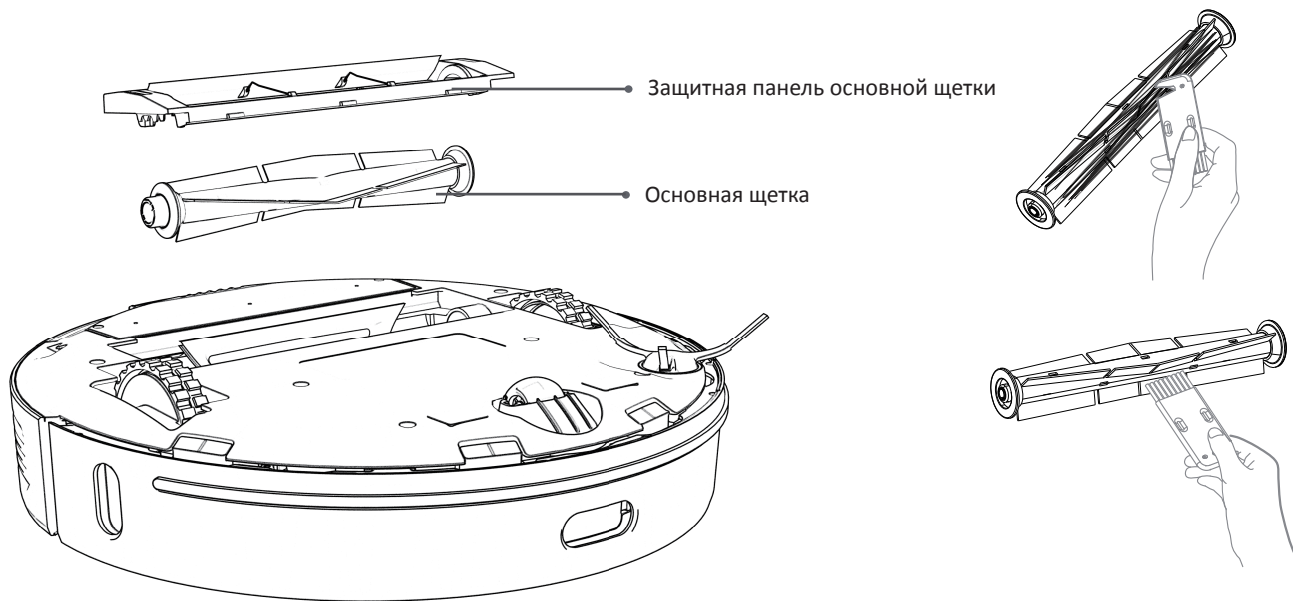
- ① Переверните основной корпус, потяните колесо вверх и отсоедините его от держателя.
- ② Очистите корпус колеса, ось и держатель от волос и мусора.
- ③ Установите колесо в корпус держателя и плотно прижмите его до характерного щелчка.



Основная щетка (рекомендуется очистка еженедельно)

- ① Переверните основной корпус, и снимите защитную панель основной щетки.
- ② Снимите валик и очистите его от запутанных волос и мусора с помощью инструмента для очистки щетки.
- ③ Установите на место щетку, поместите 3 выступа-фиксатора защитной панели в отверстия, нажмите вниз и зафиксируйте крышку.

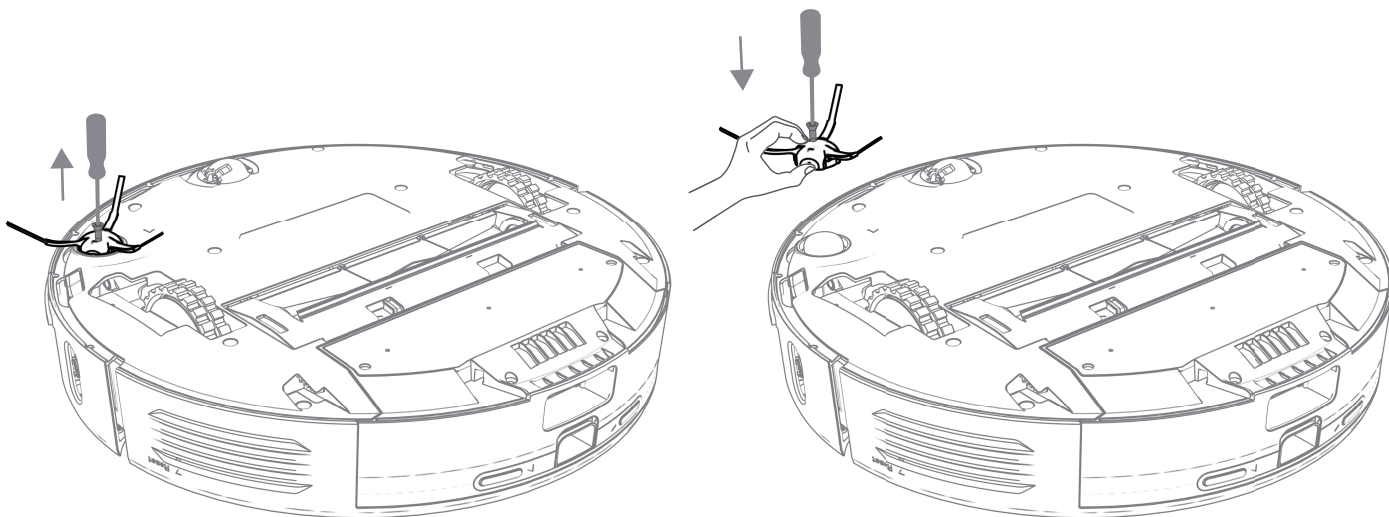
Примечание: В зависимости от применения, рекомендуется менять основную щетку каждые 6-12 месяцев, для лучшего результата.



Боковая щетка (рекомендуется еженедельная очистка)

- ① С помощью отвертки открутите в центре щетки винт и снимите ее.
- ② Очистите щетку, собрав волосы и мусор, установите ее на место.

Примечание: В зависимости от применения, рекомендуется менять боковую щетку каждые 3-6 месяцев, для лучшего результата уборки.

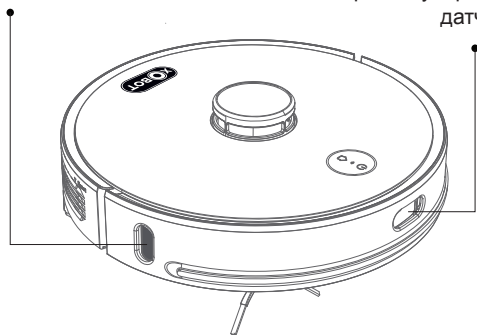


Основной корпус и датчики (рекомендуется еженедельная очистка)

Протрите датчик на главном корпусе мягкой сухой тканью, в том числе:

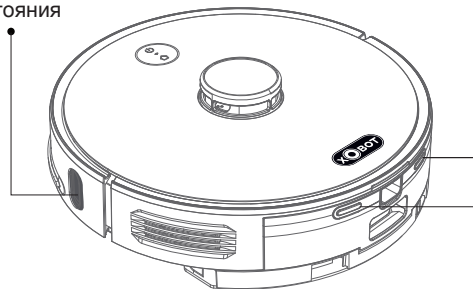
- ① 4 датчика перепада высоты на дне робота пылесоса
- ② Боковые датчики расстояния и TOF сенсоры на правой стороне корпуса
- ③ Инфракрасный противоударный датчик
- ④ Зарядные контакты на дне основного корпуса

Боковой датчик расстояния TOF/
Инфракрасный вспомогательный
сенсор перезарядки



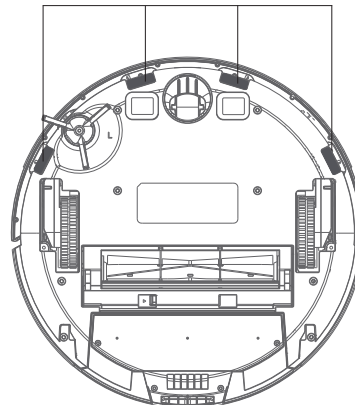
Инфракрасный
противоударный
датчик

Боковой датчик
расстояния



Зарядные
контакты

Датчики перепада высоты




Мешок-пылесборник

Когда мешок наполнится, на базе загорится зеленый индикатор “”, после этого вам необходимо заменить мешок на новый. Рекомендуется заменять мешок для пыли раз в 6-8 недель.



*Примечание: Затвор удерживает пыль и грязь внутри мешка для пыли.

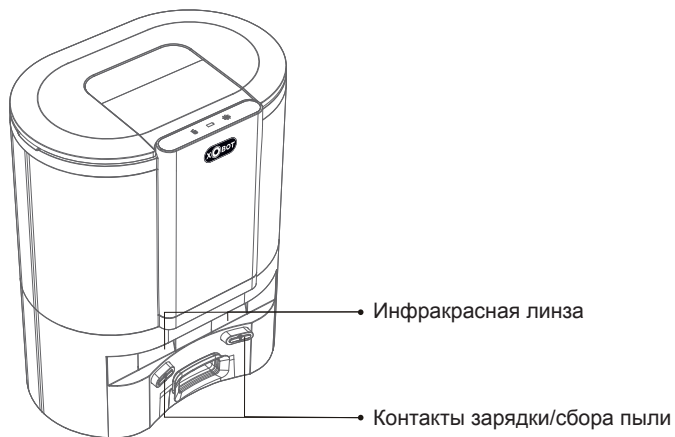
Чистка пылевого отсека

- 1 Если индикатор “” горит зеленым, а мешок для пыли еще не полон, отключите питание от станции самоочистки, переверните ее и проверьте, нет ли в канале для сбора пыли лишних предметов. Если он заполнен ими, используйте отвертку и открутите болты, откройте крышку и очистите отсек.
- 2 Откройте выпускное отверстие в задней части станции, извлеките губчатый фильтр, очистите его и вставьте обратно.



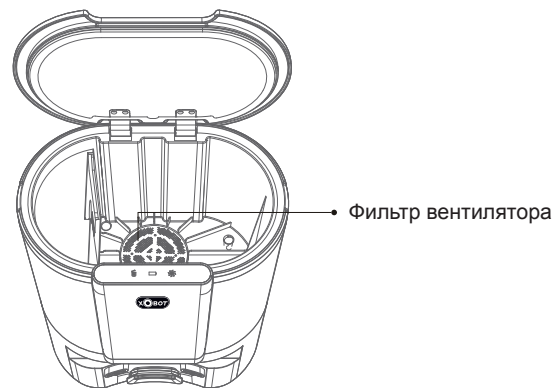
Чистка инфракрасной линзы и контактов зарядки/сбора пыли

Проверьте инфракрасную линзу и контакты на наличие грязи. Протрите их с помощью сухой салфетки. Рекомендуется делать это раз в месяц.



Очистка фильтра вентилятора

Проверьте, не скопилась ли на фильтре пыль или грязь. Очистите его с помощью щетки. Рекомендуется делать это раз в месяц.



Часто задаваемые вопросы

Вопрос	Решение
Не включается	Батарея разряжена, зарядите батарею. Температура воздуха слишком низкая (ниже 0°C) или слишком высокая (выше 40°C).
Не удается начать уборку	Батарея разряжена, зарядите батарею.
Не возвращается на станцию самоочистки	Возле станции самоочистки слишком много препятствий. Поставьте ее на открытой площадке. Пылесос слишком далеко от места перезарядки. Попробуйте поставить его ближе.
Сбой программы	Перезагрузите пылесос кнопкой “Reset”.
Во время уборки возникает странный шум	Могут попасть посторонние предметы в щетку или в колеса. Попробуйте их почистить.
Плохое качество уборки	Пылесборник заполнен, очистите пылесборник. Фильтры засорены, попробуйте их очистить. Если после мойки пола остаются разводы, используйте для мойки пола дистиллированную воду. На боковую или основную щетку намотались посторонние предметы, удалите их.
Не удается подключиться к WiFi	Плохой сигнал WiFi, убедитесь, что устройство находится в зоне уверенного приема сигнала Wi-Fi. Проверьте чтобы Wi-Fi соединение было стабильно. Сбросьте настройки Wi-Fi. Скачайте последнюю версию приложения XbotHome.
Не продолжает уборку после подзарядки	Убедитесь, что пылесос не находится в режиме «Не беспокоить», так как он не будет продолжать уборку в этом режиме. Уборка после подзарядки не продолжится, если уборка была прервана вручную и робот-пылесос был Вами установлен на станцию самоочистки.
Не удается вернуться к станции самоочистки после локальной уборки или смены положения робота	Закончив локальную уборку пылесос находится на большом расстоянии от станции самоочистки, он будет заново генерировать карту. Если станция самоочистки находится на большом расстоянии, то пылесос не сможет найти ее. Поместите пылесос на станцию самоочистки вручную.
Не заряжается	Убедитесь, что вокруг станции самоочистки достаточно места, а на поверхности зарядных контактов станции самоочистки нет пыли или окиси.
Не работает запланированная уборка	Убедитесь, что пылесос подключен к сети Wi-Fi, а если он не подключен к сети Wi-Fi, то вы не можете синхронизировать запланированную уборку.
Пылесос всегда находится в автономном режиме	Убедитесь, что пылесос находится в зоне действия WiFi.
Смартфон не может быть сопряжен с устройством	Пожалуйста, убедитесь, что станция самоочистки и пылесос находятся в зоне покрытия WiFi, 2,4 ГГц с хорошим сигналом. Следуйте инструкциям по сбросу настроек WiFi, а затем снова выполните сопряжение. ВНИМАНИЕ! сети Wi-Fi 5 ГГц не поддерживаются устройством.



Устранение неисправностей

Робот-пылесос

Сообщение о неисправности	Решение
Ошибка 1. Робот-пылесос не определяет местоположение.	Проверьте или удалите посторонние предметы вокруг радара или переместите устройство в новое место и выключите включите его. Первый запуск для создания плана помещения, осуществляйте со станции самоочистки.
Ошибка 2. Датчики падения не определяют край поверхности.	Повторите попытку после того, как вы почистите датчик падения пылесоса. (см. инструкцию по очистке датчиков).
Ошибка 3. Обнаружено сильное магнитное поле.	Переместите пылесос в новое место и повторите попытку.
Ошибка 4. Не работает датчик столкновения (бампер).	Попробуйте нажать на бампер для проверки наличия в нем посторонних предметов, после удаления посторонних предметов перезапустить устройство.
Ошибка 5. Недопустимая температура.	Температура воздуха вокруг устройства слишком высокая (выше 40°C) или низкая (ниже 0°C). Продолжите эксплуатацию после того как температура нормализуется.
Ошибка 6. Проблемы с зарядкой.	Проверьте, используется ли оригинальный адаптер питания, находится ли подставка для зарядки в горизонтальном положении. Очистите зарядные контакты.

Станция самоочистки

Световая индикация информирующая о состоянии станции:

Индикатор	Причина	Решение
 Мигает красным	Ошибка / перегрев устройства / крышка пылесборника не плотно закрыта	<ol style="list-style-type: none">1. Длительное использование приводит к перегреву или к неисправности. Повторить самоочистку через 30 минут.2. Убедитесь что крышка пылесборника плотно закрыта, а робот помещен на станцию самоочистки.3. Проверьте воздухопровод и порт для выгрузки пыли на наличие посторонних предметов, при наличии удалите их.
 Мигает красным	Отсутствует мешок для пыли / неправильно установлен мешок для пыли	<ol style="list-style-type: none">1. Проверьте установлен ли мешок для пыли, если нет, то установите его.2. Убедитесь, что мешок для пыли установлен правильно.

Основные параметры

Робот-пылесос

Название	Параметры
Размеры	350x350x98 мм
Вес	3.8 кг
Номинальное напряжение	14.4 В \approx
Номинальная мощность	50 Вт
Емкость батареи	5200 мАч

Станция самоочистки

Название	Параметры
Размеры	282x361x202 мм
Номинальная мощность	1050 Вт
Номинальное напряжение	110-240 В, 50/60 Гц
Номинальный выход	24 В \approx 1.2 А

Сведения о безопасности

ВНИМАНИЕ!

Важные инструкции по безопасности

- Это устройство предназначено только для очистки пола в домашних условиях, не используйте его на открытом воздухе (например, на балконе), на других поверхностях (например, на диване), в коммерческих или промышленных условиях.
- Не используйте в среде, где есть жидкий или вязкий материал и при температуре выше 40°C, ниже 0°C.
- Уберите все провода, лежащие на полу перед уборкой, во избежание повреждения устройства.
- Не переносите устройство за бампер, крышку радара или крышку станции самоочистки.
- Не допускайте чтобы устройство работало на полу с твердыми или острыми предметами (например, отходы строительных материалов, стекло, гвозди и т. д.).
- Не протирайте изделие сильно влажной тканью или смоченной любой другой жидкостью, кроме воды.
- Не кладите тяжелые предметы на устройство.
- Перед очисткой пылесборника отключите прибор от сети.
- Не кладите устройство на лазерный радар, во избежание поломки.
- Не проливайте жидкость на устройства (пылесборник нужно чистить и вытирать насухо).
- Используйте это устройство в соответствии с инструкциями данного руководства.
- Не устанавливайте станцию самоочистки рядом с источником тепла (например, радиатором отопления).
- Заряжайте устройство не реже одного раза в месяц, чтобы не повредить аккумулятор.
- Не используйте аккумуляторы сторонних производителей.
- Не используйте устройство, если провод питания поврежден. Если устройство работает некорректно, обратитесь в сервисный центр.
- Не используйте какие-либо сетевые адаптеры питания, кроме разрешенных адаптеров питания, предоставленных с данным устройством.
- Используйте источник электропитания и розетку только с указанным напряжением и током.
- Используйте это устройство в соответствии с инструкциями данного руководства.
- Потребитель несет полную ответственность за любой ущерб, вызванный несоблюдением правил настоящего руководства.



SMART TECHNOLOGY

www.xbot.com.tw
www.xbot.su

Разработано «Taiwan Proscenic Technology Co., Ltd».
No. 3, Lane 121, Yinyi Street, Lingya District, Kaohsiung City, Тайвань.

Изготовитель «PROSCENIC INDUSTRIAL CORPORATION LIMITED»
FLAT/RM 1304 13/F STRAND 5050 BONHAM STRAND SHEUNG WAN, Гонконг

Уполномоченная изготовителем организация на принятие претензий от потребителей:
СЦ «НОМЕРОБОТ» (ИП Булгаков В.В.) 125212, Москва, Ленинградское шоссе, д.25,
тел.: 8-800-550-46-00, e-mail: service@hobot.ru

EAC